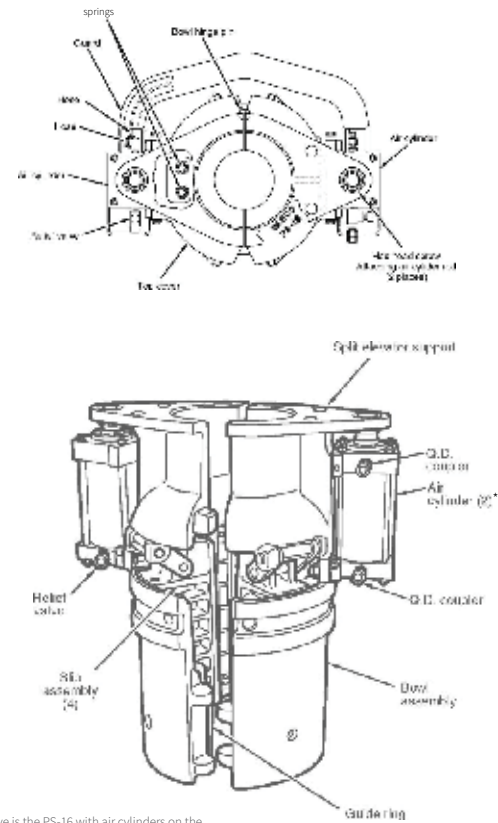


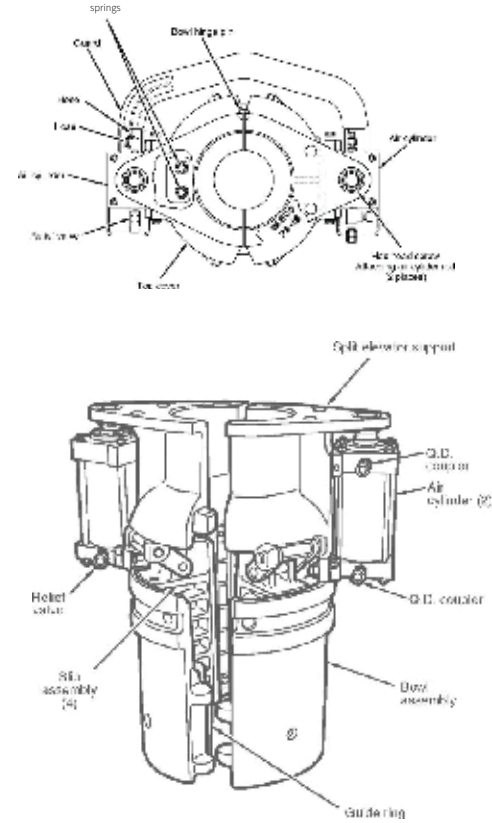
**PS-15**



\*Model shown above is the PS-16 with air cylinders on the side. These are not found on the actual PS-15 model

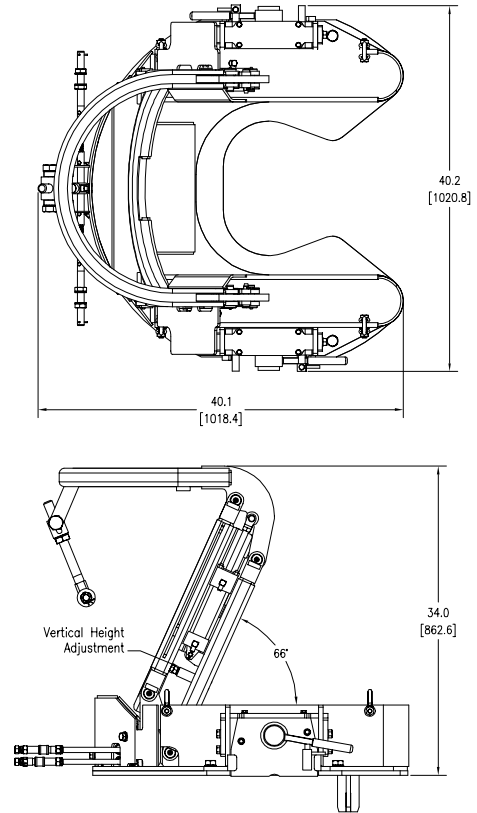
Technical specifications	
Actuation	Spring
Control system	Manual
Dimension LxWxH	33" x 41.5"
Weight	1,040 lbs
Rotary size	Fits in NOV Pin Drive Master Bushing sizes: 27½", 37½", 49½"
Rotary configuration	Fits in Master Bushing
Tubular type	Drill pipe
Tubular size range (slips)	3½" to 5½"
Changing slips	Manually
Load rating	Up to 750 sTon
Backup torque	--
Centering device	--
Slip set back	--
Throat opening w/o slips	15"
Height above rig floor	Set: 11" Released: 19"
Required pressure	--
Flow rate	--
Ambient temperature range	-4°F up to 104°F (-20°C up to 45°C)
Required crew to operate	2-3
Manpower interfering	Yes
Interlocking	No
Greasing	Hand
Slip-set signal confirmation	No
Slip-up signal confirmation	No
Top cover	No
API	7K
CE	Yes
ATEX	N/A

**PS-16**

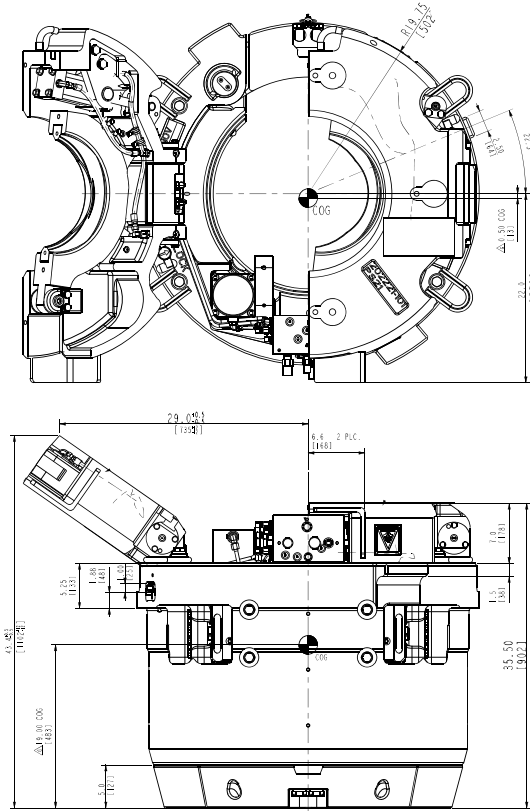


Technical specifications	
Actuation	Air
Control system	Automatic remote controlled (hand or foot controlled)
Dimension LxWxH	32" x 48.4"
Weight	1,600 lbs
Rotary size	Fits in NOV Pin Drive Master Bushing sizes: 27½", 37½", 49½"
Rotary configuration	Fits in Master Bushing
Tubular types	Drill pipe
Tubular size range (slips)	3½" to 6½"
Changing slips	Manually
Load rating	Up to 750 sTon
Backup torque	--
Centering device	--
Slip set back	--
Throat opening w/o slips	16"
Height above rig floor	Set: 17.5" Released: 26"
Required pressure	90 psi (air)
Flow rate	--
Ambient temperature range	-4°F up to 104°F (-20°C up to 45°C)
Required crew to operate	1
Manpower interfering	No
Interlocking	Yes
Greasing	Hand
Slip-set signal confirmation	Yes
Slip-up signal confirmation	No
Top cover	No
API	7K
CE	Yes
ATEX	Yes

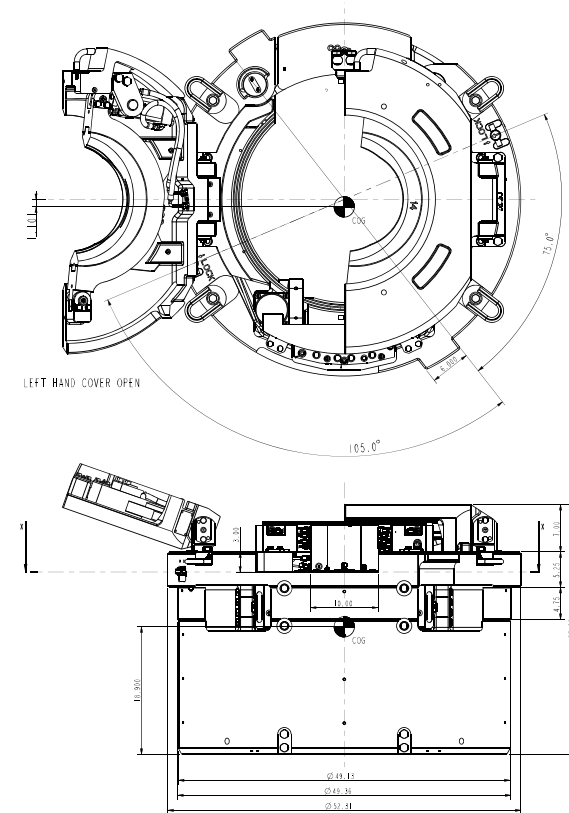
**PSF**



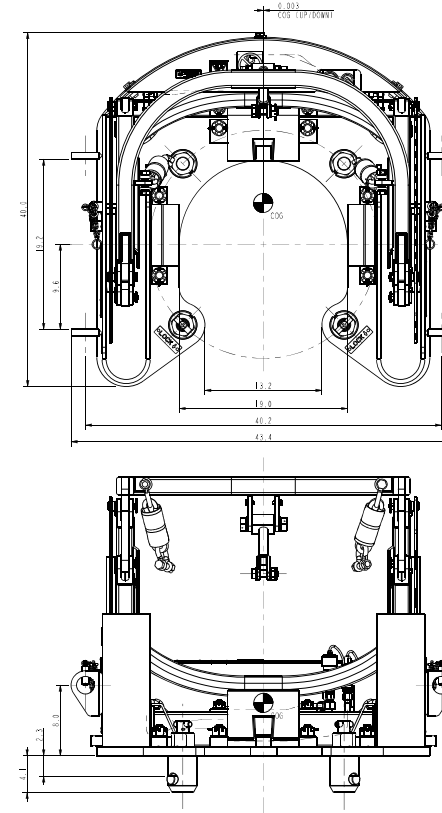
Technical specifications	
Actuation	Electro-hydraulic
Control system	Automatic remote controlled (hand or foot controlled)
Dimension LxWxH	36.6" x 27.5"
Weight	365 lbs
Rotary size	Pin drive: 20½", 27½", 37½", (20" upon request) Square drive RT: 17½", 27½"
Rotary configuration	Fits in Master Bushing
Tubular types	Drill pipe
Tubular size range (slips)	2¾" to 7"
Changing slips	Manually
Load rating	--
Backup torque	--
Centering device	--
Slip set back	--
Throat opening w/o slips	Depending on size bushing bowl
Height above rig floor	Set: 11.3" Released: 27.5"
Required pressure	600 psi (hydraulic)
Flow rate	3 gpm
Ambient temperature range	-4°F up to 104°F (-20°C up to 45°C)
Required crew to operate	1
Manpower interfering	No
Interlocking	No
Greasing	Hand
Slip-set signal confirmation	No
Slip-up signal confirmation	No
Top cover	No
API	N/A
CE	No
ATEX	No

**PS-21**

**Technical specifications**

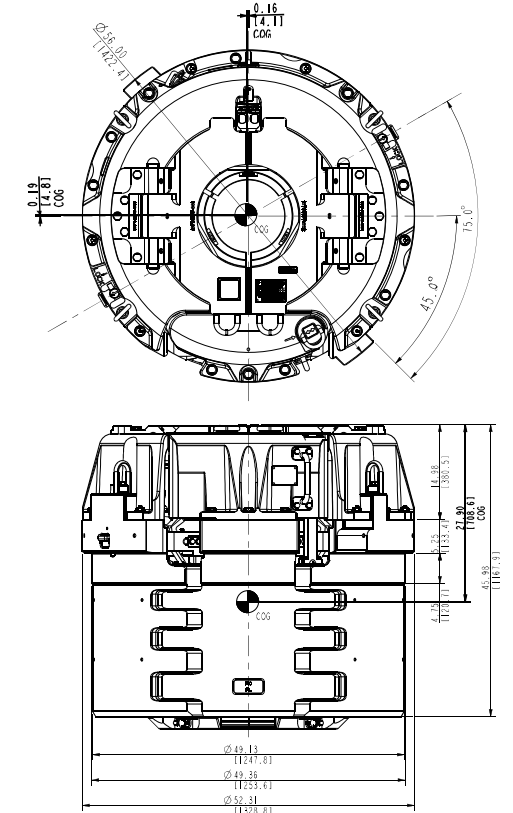
Actuation	Hydraulic
Control system	Automatic remote controlled (control panel)
Dimension LxWxH	Ø 39.88" x 35.5"
Weight	5,600 lbs
Rotary size	Fits directly in rotary table, rotary size: 37½"
Rotary configuration	Fits in Oilwell/Wirth/Gardner Denver, Emsco, Ideco, Varco/National
Tubular type	Drill pipe, casing, drill collar, tubing
Tubular size range (slips)	2¾" to 14"
Changing slips	Using a special tool to insure
Load rating	350 sTon
Backup torque	45,000 ft.lbs
Centering device	Comply
Slip set back	Comply
Throat opening w/o slips	21"
Height above rig floor	7"
Required pressure	2,300 - 2,500 psi (hydraulic)
Flow rate	10 gpm
Ambient temperature range	-4°F up to 104°F (-20°C up to 45°C)
Required crew to operate	1
Manpower interfering	No
Interlocking	Yes
Greasing	Automated
Slip-set signal confirmation	Yes
Slip-up signal confirmation	No
Top cover	Yes
API	7K
CE	Yes
ATEX	Yes

**PS-30**

**Technical specifications**

Actuation	Hydraulic
Control system	Automatic remote controlled (control panel)
Dimension LxWxH	Ø 52.31" x 37.0"
Weight	9,450 lbs
Rotary size	Fits directly in rotary table, rotary table size: 49½"
Rotary configuration	Fits in Oilwell/Wirth/Gardner Denver, Emsco, Ideco, Varco/National
Tubular types	Drill pipe, casing, drill collar, tubing
Tubular size range (slips)	2¾" to 20"
Changing slips	Using a special tool to insure
Load rating	500 sTon
Backup torque	55,000 ft.lbs
Centering device	Comply
Slip set back	Comply
Throat opening w/o slips	30"
Height above rig floor	7"
Required pressure	2,300 - 2,500 (hydraulic)
Flow rate	10 gpm
Ambient temperature range	-4°F up to 104°F (-20°C up to 45°C)
Required crew to operate	1
Manpower interfering	No
Interlocking	Yes
Greasing	Automated
Slip-set signal confirmation	Yes
Slip-up signal confirmation	No
Top cover	Yes
API	7K
CE	Yes
ATEX	Yes

**SLT**

**Technical specifications**

Actuation	Hydraulic
Control system	Automatic remote controlled (hand or foot controlled)
Dimension LxWxH	39.9" x 43.4" x 31.5"
Weight	794 lbs
Rotary size	Fits directly in rotary table, rotary table size: 49½"
Rotary configuration	Fits directly on bowls/LSB (MBH1250)
Tubular types	Drill pipe
Tubular size range (slips)	4½" to 7¾"
Changing slips	Manually
Load rating	--
Backup torque	--
Centering device	--
Slip set back	--
Throat opening w/o slips	Depending on size bushing bowl
Height above rig floor	Set: 17.0" Released: 31.5"
Required pressure	2,000 psi (hydraulic)
Flow rate	5 gpm
Ambient temperature range	-4°F up to 131°F (-20°C up to 55°C)
Required crew to operate	1
Manpower interfering	No
Interlocking	No
Greasing	Hand
Slip-set signal confirmation	No
Slip-up signal confirmation	No
Top cover	No
API	N/A
CE	Yes
ATEX	Yes

**PS-495**

**Technical specifications**

Actuation	Hydraulic
Control system	Automatic remote controlled (control panel)
Dimension LxWxH	Ø 52.31" x 45.98"
Weight	13,358 lbs
Rotary size	Fits directly in rotary table size: 49½"
Rotary configuration	Fits in National, Emsco, Oilwell, Wirth
Tubular types	Drill pipe
Tubular size range (slips)	4½" to 7¾"
Changing slips	Using a special tool to insure
Load rating	1,500 sTon
Backup torque	30,000 ft.lbs
Centering device	--
Slip set back	--
Throat opening w/o slips	19"
Height above rig floor	14.75"
Required pressure	2,300 - 2,500 psi (hydraulic)
Flow rate	10 gpm
Ambient temperature range	-4°F up to 131°F (-20°C up to 55°C)
Required crew to operate	1
Manpower interfering	No
Interlocking	Yes
Greasing	Hand
Slip-set signal confirmation	Yes
Slip-up signal confirmation	Yes
Top cover	Yes
API	7K
CE	Yes
ATEX	Yes