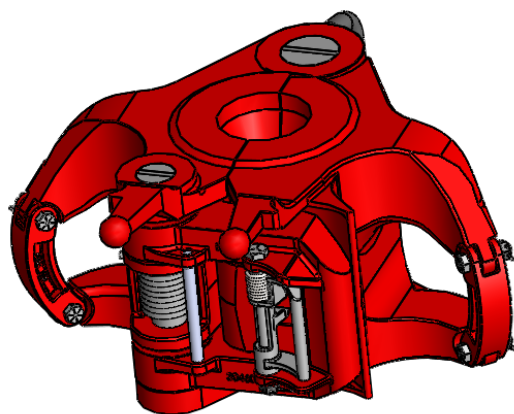
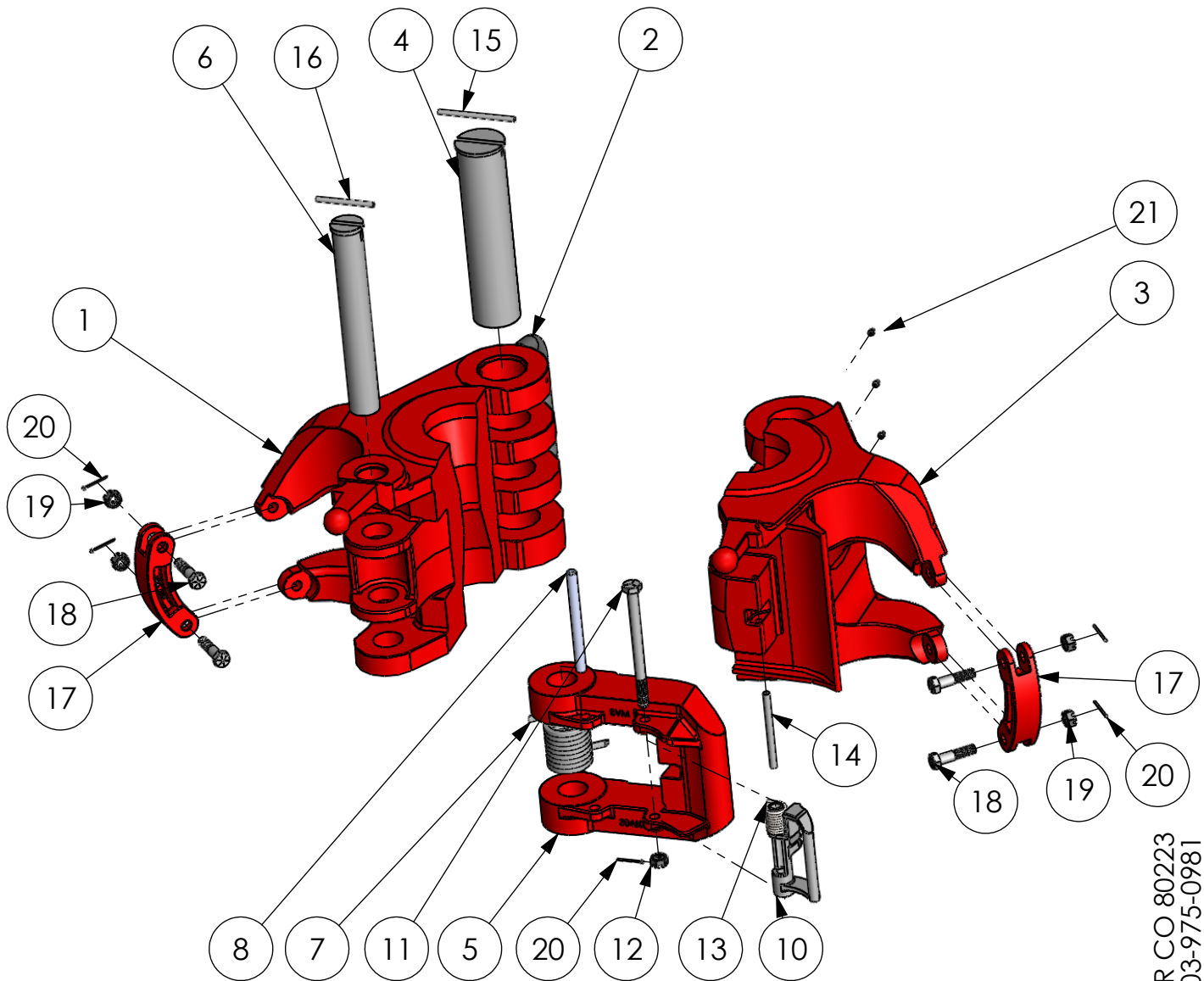


# BVM G SERIES ELEVATOR

"G" Series Elevators are 18 deg bore elevators used for drill pipe, produced from cast alloy heat treated steel and have a working capacity of 100, 150, 175, 250, 350 and 500 Tons depending on the model.



**BVM CORPORATION**  
430 S. NAVAJO STREET, DENVER CO 80223  
PHONE: 303-975-1402; FAX: 303-975-0981  
www.bvmcorp.com; sales@bvmcorp.com

# BVM G SERIES ELEVATOR

REF NO.	DESCRIPTION	NO. REQ	MG 100T 30157-**	RG 150T 30156-**	MGG 175T 13884-**	MGG 250T 35005-**	GG 350T 31068-**	HGG 500T 70013-**
1	BODY	1	30157L	30156L	13884L	35005L	31068L	70013L
2	BODY BACK HANDLE	1	--	--	--	--	--	70013LH
3	DOOR	1	30157R	30156R	13884R	35005R	31068R	70013R
4	HINGE PIN	1	26813-2*	23569-1***	13888	34908	33998	30553
5	LATCH	1	11763	23543	13151	34906	31071	30460M
6	LATCH PIN	1	26814	23544	13154	34907	33999	30613
7	LATCH SPRING	1	11766	23546	13155	34909	18416	31228
8	LATCH SPRING STOP	1	--	23548	13185	13185	13185-1	31215
9	LATCH CAM	1	11581	--	--	--	--	--
10	LATCH LOCK	1	11764	13152	13152	13152	13152	13152-1
11	LATCH LOCK PIN	1	11759-1	15101	15101	15101	15101	31138
12	LATCH LOCK BOLT NUT	1	--	6812C-00-5	6812C-00-5	6812C-00-5	6812C-00-5	6812C-00-5
13	LATCH LOCK SPRING	1	--	13188	13188	13188	13188	13188
14	DOOR LUG PIN	1	12529	23547	13190	13190	13190	31216
15	HINGE PIN RETAINER	1	40040-28-0	40040-24-0	40050-16-0	40060-36-0	40060-40-0	40060-56-0
16	LATCH PIN RETAINER	1	40040-18-0	40040-22-0	40040-28-0	40040-28-0	40050-32-0	40060-36-0
17	LINK BLOCK	2	26817	9519	9519	9519	9519	30942
18	LINK BLOCK BOLT	4	8145 (2 only)	8145	8145	8145	8145	8145
18A	LINK BLOCK BOLT	2	26817-1	-	-	-	-	-
19	LINK BLOCK NUT	4	6812C-00-5	6812C-00-5	6812C-00-5	6812C-00-5	6812C-00-5	6812C-00-5
20	COTTER PIN	5	30AB0-14-0	30AB0-14-0	30AB0-14-0	30AB0-14-0	30AB0-14-0	30AB0-14-0
21	GREASE FITTING	2	940308-1	940308-1	940308-1	940308-1	940308-1	940308-1

\* = Use Hinge Pin P/N 26813-1 for Elevators S/N 29707 & Lower  
 Use Hinge Pin P/N 26813-2 for Elevators S/N 30823 & Higher

\*\* = See Bore Code Charts

\*\*\* = Use Hinge Pin P/N 23569 for Elevators S/N 30012 & Lower  
 Use Hinge Pin P/N 23569-1 for Elevators S/N 30993 & Higher

10/2/2012