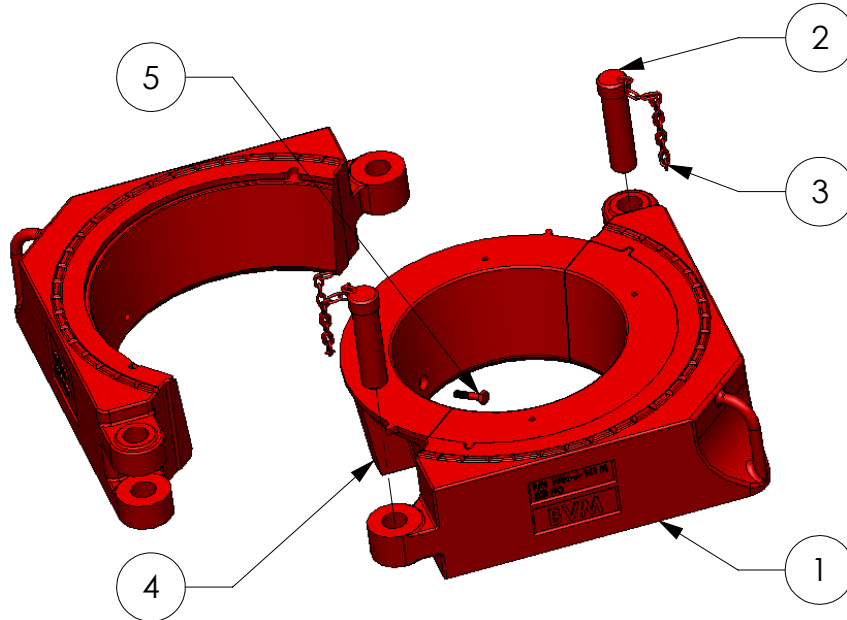


BVM HINGED CASING SPIDER AND BUSHINGS

Hinged Casing Spiders and Bushings will meet most types of casing handling operations. They are produced from cast alloy heat treated steel and have a working capacity of either 200 Tons or 250 Tons - depending on the model, with a safety factor of 3 to 1. They range in size from 13 3/8" to 36".



30" SPIDER - P/N 7704-A-161 - SHOWN WITH HINGED CASING BUSHING 30" X 20", P/N 7704-A-164

WHEN USED WITHOUT BUSHINGS

ITEM NO.	DESCRIPTION	PART NO.	QTY			
			7704-A-161	7704-A-130	7704-A-79	7704-A-167
--	HINGED CASING 200/250 TON 30" SPIDER ASSEMBLY	7704-A-161	X			
	HINGED CASING 200/250 TON 20" SPIDER ASSEMBLY	7704-A-130		X		
	HINGED CASING 200/250 TON 13 3/8" SPIDER ASSEMBLY	7704-A-79			X	
	HINGED CASING 200/250 TON 36" SPIDER ASSEMBLY	7704-A-167				X
1	HINGED CASING 200/250 TON 30" SPIDER	7704-A-161-1	1 SET			
	HINGED CASING 200/250 TON 20" SPIDER	7704-A-130-1		1 SET		
	HINGED CASING 200/250 TON 13 3/8" SPIDER	7704-A-79-1			1 SET	
	HINGED CASING 200/250 TON 36" SPIDER	7704-A-167-1				1 SET
2	HINGED CASING HINGE PIN	7704-A-84-1	2	2	2	2
3	HINGED CASING HINGE LINK CHAIN	7704-A-84-2	2	2	2	2

WHEN USED WITH BUSHINGS TO REDUCE SIZE

ITEM NO.	DESCRIPTION	PART NO.	QTY
1	HINGED CASING 200/250 TON 13 3/8" SPIDER	7704-A-79-1	2
	HINGED CASING 200/250 TON 20" SPIDER	7704-A-130-1	
	HINGED CASING 200/250 TON 30" SPIDER	7704-A-161-1	
	HINGED CASING 200/250 TON 36" SPIDER	7704-A-167-1	
2	HINGED CASING HINGE PIN	7704-A-84-1	2
3	HINGED CASING HINGE LINK CHAIN	7704-A-84-2	2
4	30" - 16" REDUCING BUSHING	7704-A-165	2
	30" - 18 5/8" REDUCING BUSHING	7704-A-150	
	30" - 20" REDUCING BUSHING	7704-A-167	
	30" - 22" REDUCING BUSHING	7704-A-163	
	30" - 24" REDUCING BUSHING	7704-A-168	
	30" - 26" REDUCING BUSHING	7704-A-169	
	20" - 16" REDUCING BUSHING	7704-A-170	
	20" - 13 3/8" REDUCING BUSHING	7704-A-171	
	20" - 10 3/4" REDUCING BUSHING	7704-A-172	
5	BOLT FOR 30" - 16" BUSHING		2
	BOLT FOR 30" - 18 5/8" BUSHING		
	BOLT FOR 30" - 20" BUSHING		
	BOLT FOR 30" - 22" BUSHING (3/4-10 X 3 1/2")	1412C-28-8	
	BOLT FOR 30" - 24" BUSHING (3/4-10 X 3")	1412C-24-8	
	BOLT FOR 30" - 26" BUSHING (3/4-10 X 3 1/2")	1412C-28-8	
6	BOLT FOR 20" - 16" BUSHING		2
	BOLT FOR 20" - 13 3/8" BUSHING		
	BOLT FOR 20" - 10 3/4" BUSHING		
6	LOCKWASHER USED FOR ALL BUSHING		2

BVM CORPORATION
 430 S. NAVAJO STREET, DENVER CO 80223
 PHONE: 303-975-1402; FAX: 303-975-0981
 www.bvmcorp.com; sales@bvmcorp.com